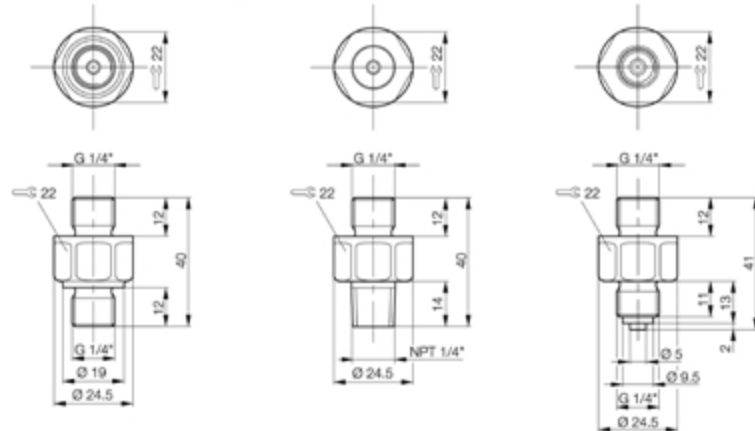


Accessories
Adapters

Pressure Sensors
Sensors



Description	Adapter G 1/4"	Adapter NPT 1/4"	Adapter G 1/4"
Version			for attachment to pressure gauge
Ordering code	BAM01KP	BAM01KT	BAM01KR
Part number	BAM AD-SP-008-1G4/1G4-4	BAM AD-SP-008-1G4/1G4-4	BAM AD-SP-008-1G4/1G4-4
Housing material	Stainless steel	Stainless steel	Stainless steel
Sensor end connection	G 1/4"	G 1/4"	G 1/4"
Process end connection	G 1/4"	NPT 1/4"	G 1/4" for attachment to pressure gauge as per EN 837



Balluff BSP pressure sensors can be adapted to different process connections using adapters available as an optional extra.

Adapters for other process connections are available on request.

Accessories
Connectors



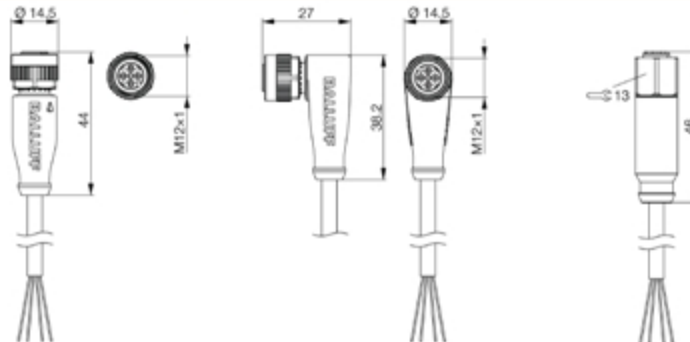
Version	Connection cable for standard pressure sensors Straight female	Connection cable for standard pressure sensors Right-angle female	Connection cable for high-end pressure sensors Straight female
Type	Straight female	Right-angle female	Straight female
Connector diagram and wiring	<p>PIN 1: brown PIN 2: white PIN 3: blue PIN 4: black</p>	<p>PIN 1: brown PIN 2: white PIN 3: blue PIN 4: black</p>	<p>PIN 1: brown PIN 2: white PIN 3: blue PIN 4: black</p>
Max. operating voltage U_0	250 V DC	250 V DC	32 V AC/DC
Cable	Molded	Molded	Assembled
No. of wires x conductor cross-section	4x0.34 mm ²	4x0.34 mm ²	4x0.34 mm ²
Degree of protection per IEC 60529	IP 68	IP 68	IP 68/IP 69K
Ambient temperature T_a	PUR -25...+80 °C PVC -5...+80 °C	-25...+80 °C -5...+80 °C	-40...+85 °C (momentarily +105 °C)



Adapters
Connectors

Cable material	Color	Length	Ordering code	Part number	
PUR	Black	2 m	BCC032F	BCC032Y	
			BCC M415-0000-1A-003-PX0434-020	BCC M425-0000-1A-003-PX0434-020	
PUR	Black	5 m	BCC032H	BCC032Z	
			BCC M415-0000-1A-003-PX0434-050	BCC M425-0000-1A-003-PX0434-050	
PUR	Black	10 m	BCC032J	BCC0330	
			BCC M415-0000-1A-003-PX0434-100	BCC M425-0000-1A-003-PX0434-100	
PVC	Gray	2 m	BCC0367	BCC036N	BCC02FE
			BCC M415-0000-1A-003-VX8434-020	BCC M425-0000-1A-003-VX8434-020	BKS-S260-3-02
PVC	Gray	5 m	BCC0368	BCC036P	BCC02FF
			BCC M415-0000-1A-003-VX8434-050	BCC M425-0000-1A-003-VX8434-050	BKS-S260-3-05
PVC	Gray	10 m	BCC0369	BCC036R	
			BCC M415-0000-1A-003-VX8434-100	BCC M425-0000-1A-003-VX8434-100	

Other cable materials, colors and lengths on request.



More about our cables and connectivity products can be found in our brochures or online at: www.balluff.com

